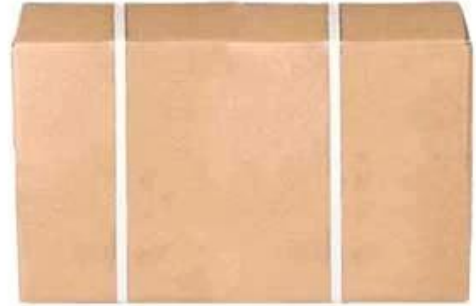
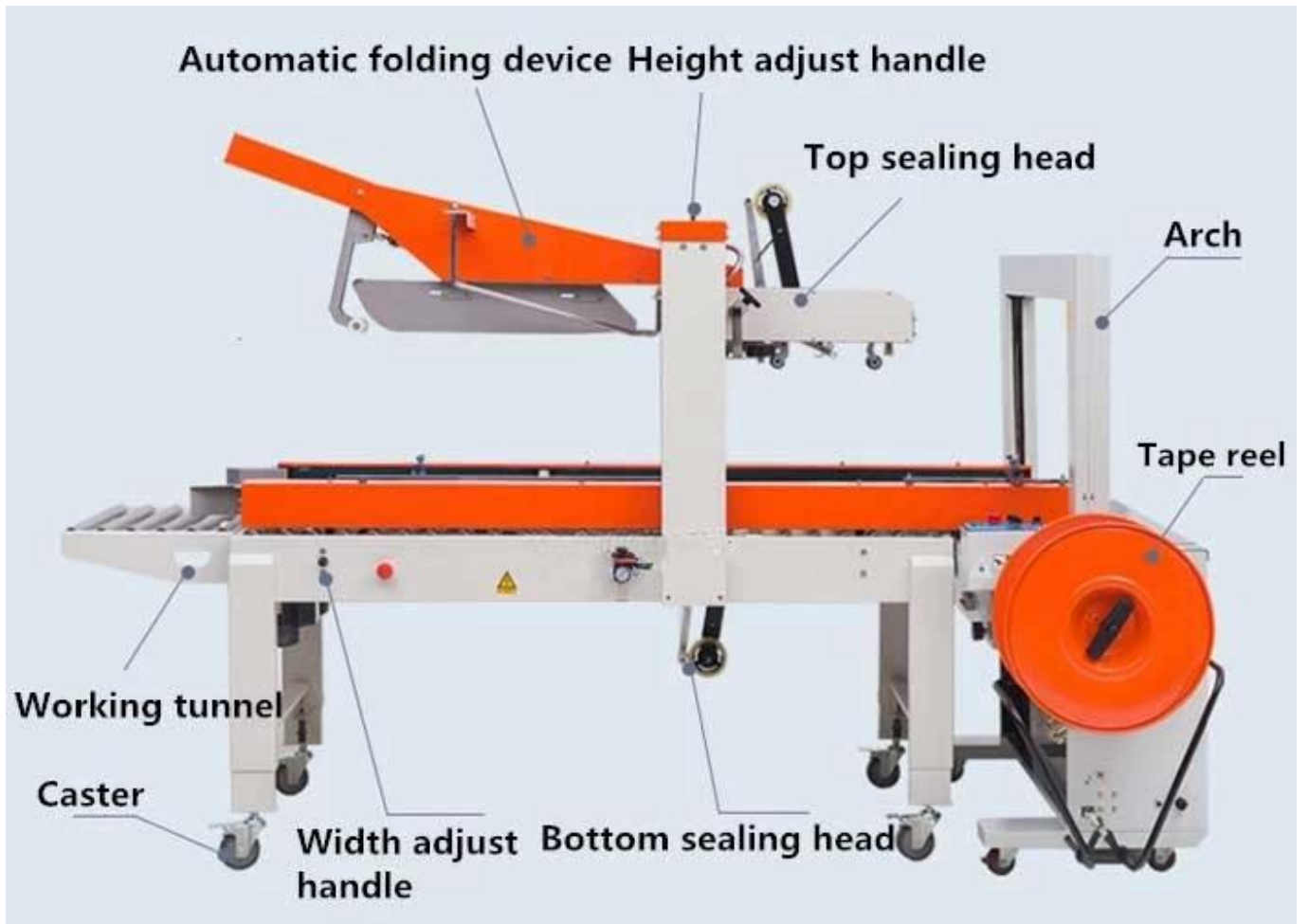
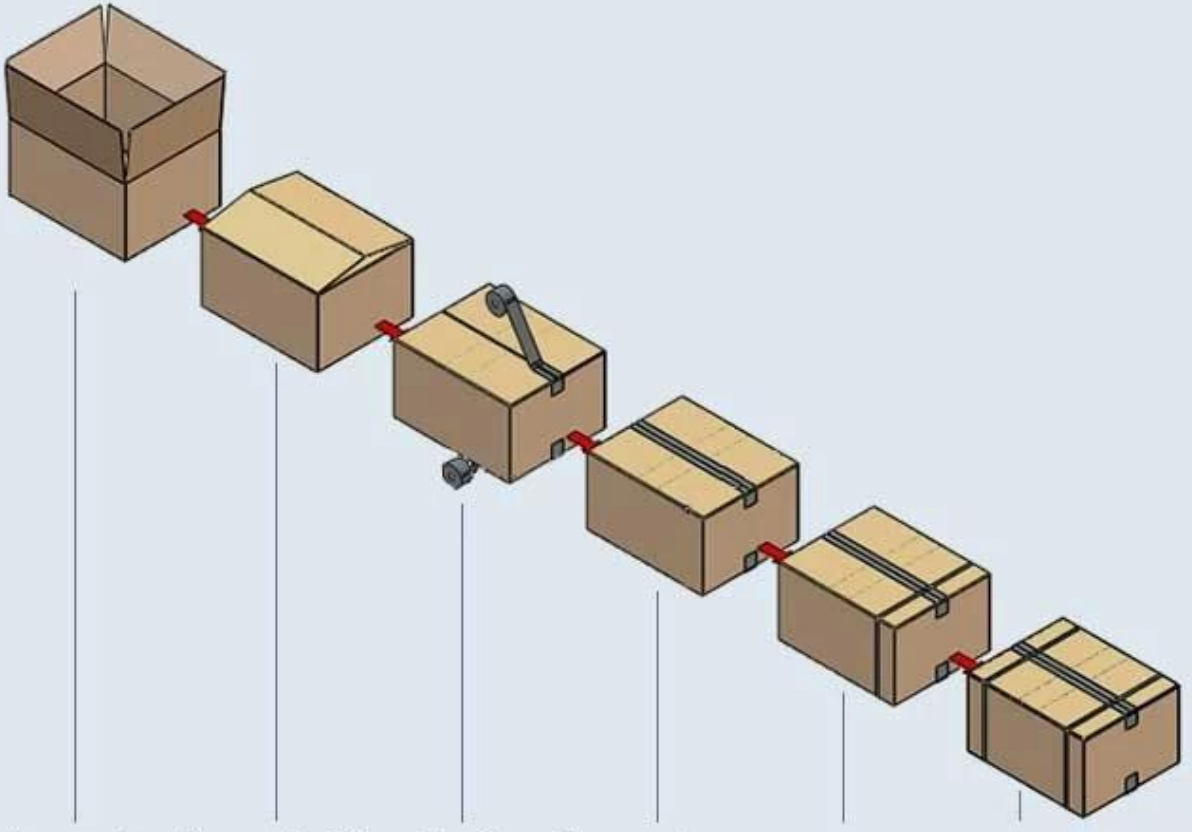


PP/PET









Carton enter Cover folding Sealing Conveying First strapping Second strapping





100% T/T, 70% L/C



Foshan Jiayite Packaging Machinery Co., Ltd. is a professional and reliable manufacturer of bottle filling machine, capping machine, labeling machine and pouch packing machine . We are providing quality packing solutions for bottle filling and packing in the industries of home care and personal care , foodstuff, agrochemical , chemical and lubricate oil for liquids, cream/ointment, fluid and half-fluid, powders, and granules products. With years experience and development, We have Obtained ISO9001 quality management system authentication and parts of our products have passed CE authentication.



Our Customers

SHAN EQUIPMENT

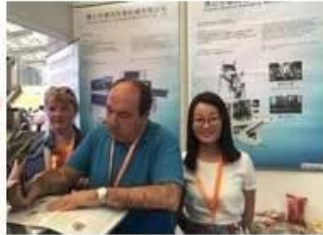
- 2020年
- 线上平台
- 阿曼巴国际
- 杰森自动化设
- 佛山市普利自

- 感谢总司100%的速度进增,从
- 2020年
- 2020年
- 线上平台
- 阿曼巴国际
- 杰森自动化设
- 佛山市普利自

- 感谢总司100%的速度进增,从
- 2020年
- 2020年
- 线上平台
- 阿曼巴国际
- 杰森自动化设
- 佛山市普利自



EXHIBITIONS





On-site installation,
commissioning and training

Specially customized
based on actual situation



High automation, simple
operation and labor saving

Life long technical
service support



AFTER-SALES SERVICE





NO
AM

AUSTRAL

Ex-work FCA FOB CNF CIF DHL UPS FedEx TNT EMS

Q1. Q2. Q3. Q4. Q5.

Q1. Q2. Q3. Q4. Q5.

A1: Q2. Q3. Q4. Q5.

Q2. Q3. Q4. Q5.

A2: Q3. Q4. Q5.

Q3. Q4. Q5.

A3: Q4. Q5.

Q4. Q5.

A4: Q5.

Q5. Q6. Q7. Q8.

A5: Q6. Q7. Q8.

