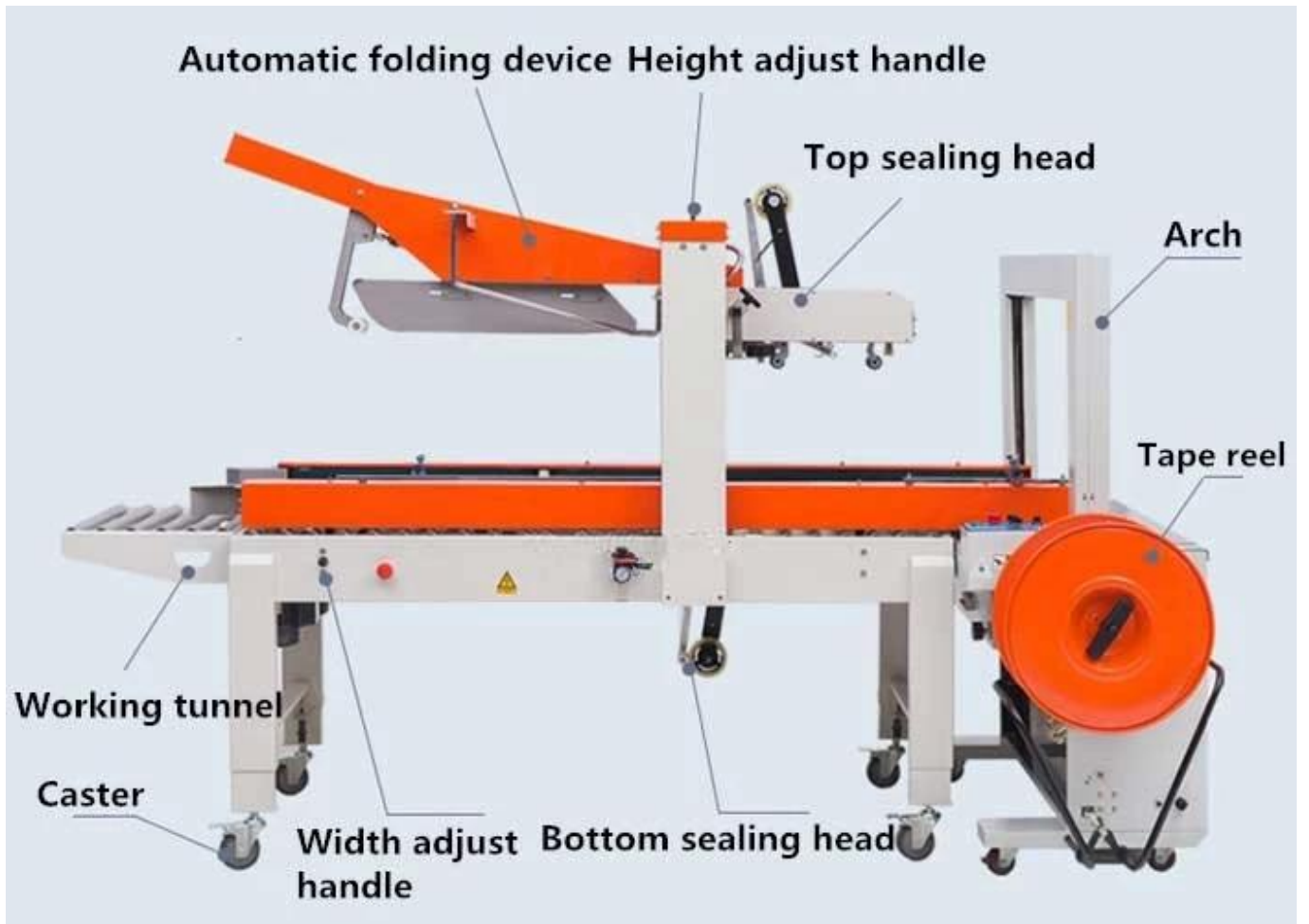
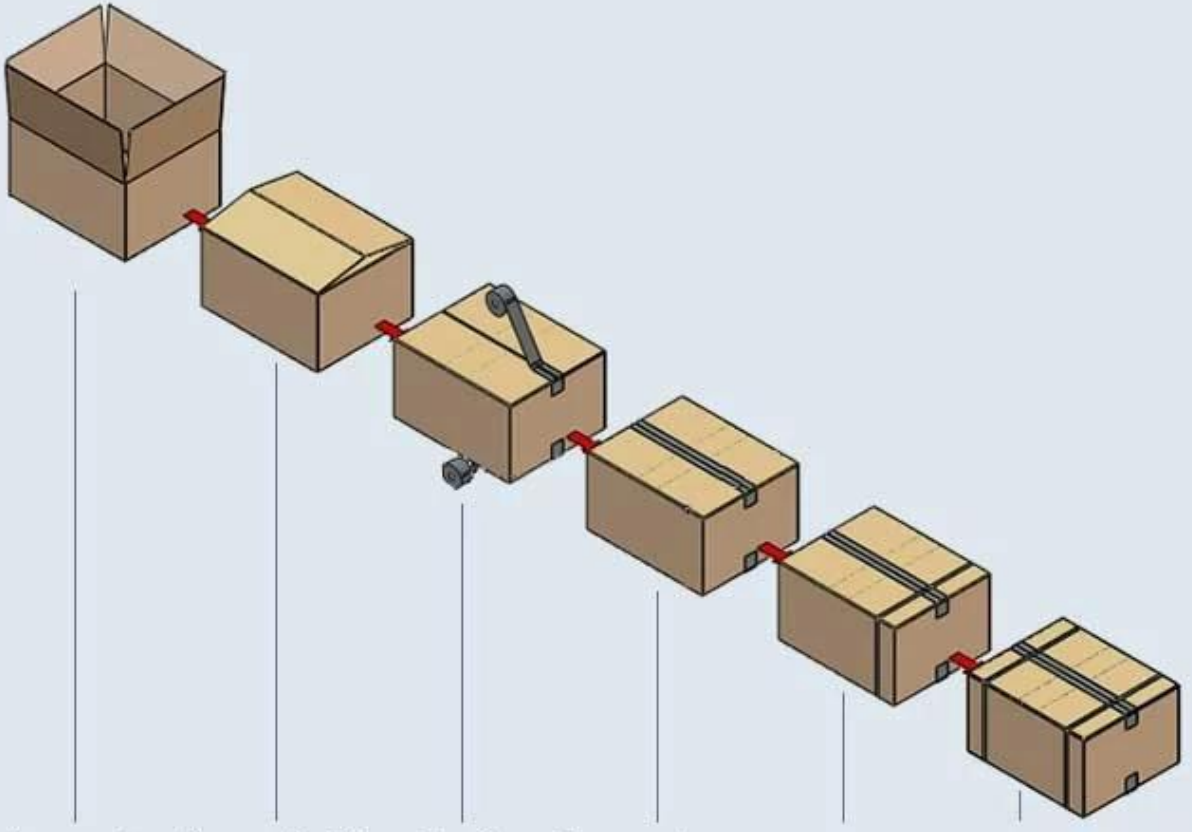


Auto Strapping Machine Belt Box Carton Banding Machine PP Plastic Packaging Material Strapping Machine









Carton enter Cover folding Sealing Conveying First strapping Second strapping





Product Advantages

1 Boost Productivity: Save time and labor with the automated strapping process, allowing your team to focus on other essential tasks, enhancing overall efficiency.

2 Secure Packaging: Ensure your products reach their destination intact, avoiding any potential damages during shipping, and leaving a lasting impression on your customers.

3 Versatile Application: With the ability to handle various package sizes and materials, our Auto Strapping Machine adapts to your unique business needs.

Product specification

model	case unpicker
machine size	L2000 * W1960 * H1450
power supply	220V / 50HZ

gas supply	6-7kg
working speed	6-10 cases/min
belt width	8,9,10,11,12,12.7,15,15.5,18,19
belt roll inner dia	200-280mm adjustable
belt roll height	190-230mm adjustable

Payment

You can pay by 100% T/T, Ali-pay, 70% L/C at sight would be available for qualified bank.

Company profile



Foshan JYT Packaging Machinery Co., Ltd. is a professional and reliable manufacturer of bottle filling machine, capping machine, labeling machine and pouch packing machine . We are providing quality packing solutions for bottle filling and packing in the industries of home care and personal care , foodstuff, agrochemical , chemical and lubricate oil for liquids, cream/ointment, fluid and half-fluid, powders, and granules products. With years experience and development, We have Obtained ISO9001 quality management system authentication and parts of our products have passed CE authentication.



EXHIBITION RECORD



OUR CUSTOMERS





— OUR ADVANTAGE —

On-site installation,
commissioning and training



High automation, simple
operation and labor saving



High automation, simple
operation and labor saving



Life long technical
service support

**AFTER-SALES
SERVICE**



PACKAGING SHIPPING



It can be shipped by terms of Ex-work, FCA,FOB,CNF,CIF by sea or by air DHL, UPS, FedEx, TNT, EMS etc based on the buyer's forwarder or ours.

FAQ

Q1.Are you a manufacturer?

A1:Yes, we are an experienced manufacturer with our own brand and production lines.

Q2.How about quality of products?

A2: Our technicians and QC teams test the products one by one using aging line, professional devices and instruments to ensure the quality for all products.

Q3.How about price?

A3: We are a manufacturer and always offer our customers the most competitive prices.

Q4.How to place an order?

A4: Contact with online service, or sent email to us directly, we will reply to you with product price, specifications, packing etc. soon. Thank you.

Q5.May I send samples to you testing?

A5: Yes! You are welcome to send us your products to test by our machine.

Q6.Can I visit your factory?

A6: Yes, welcome to visit our factory at your convenient time.