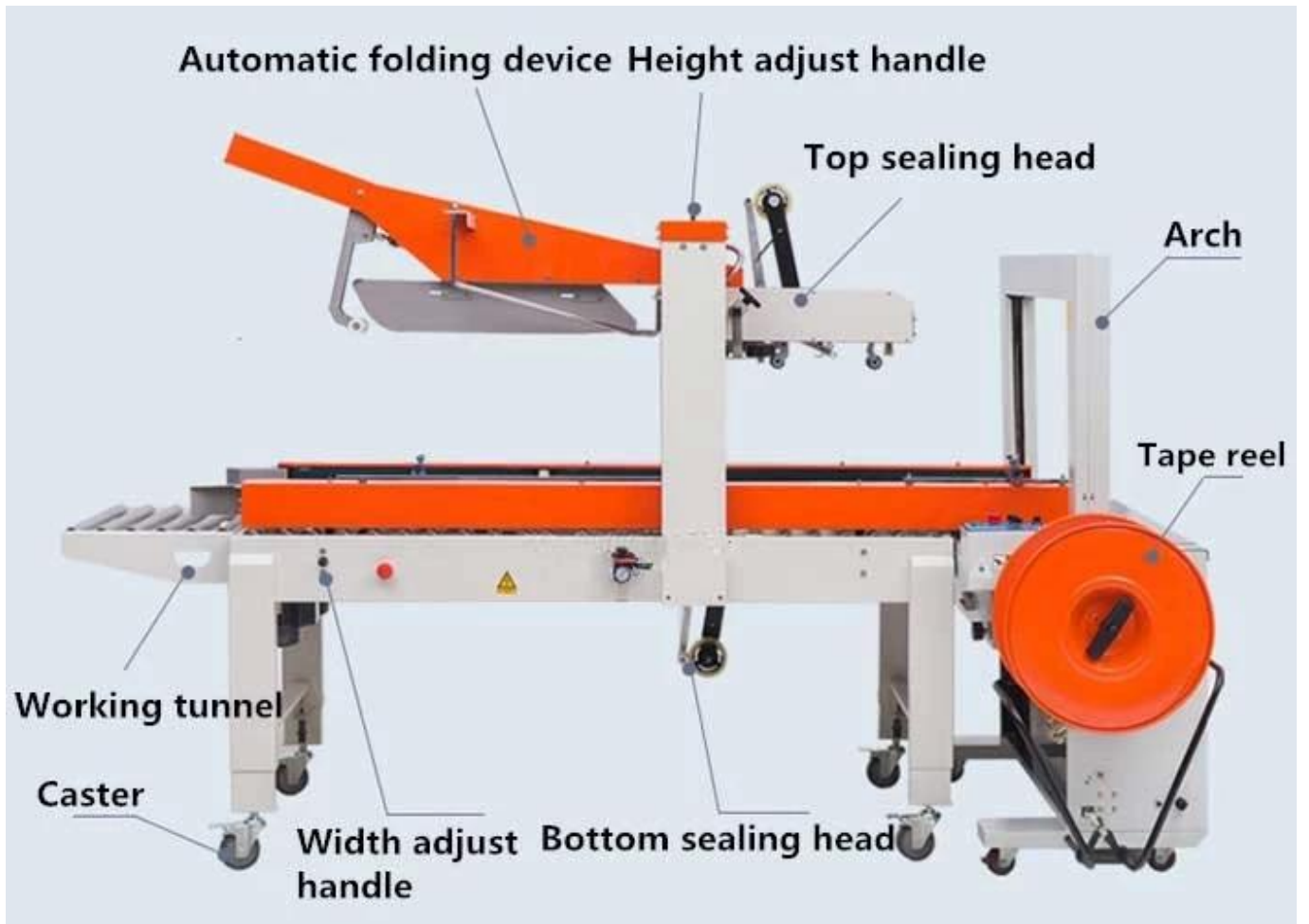
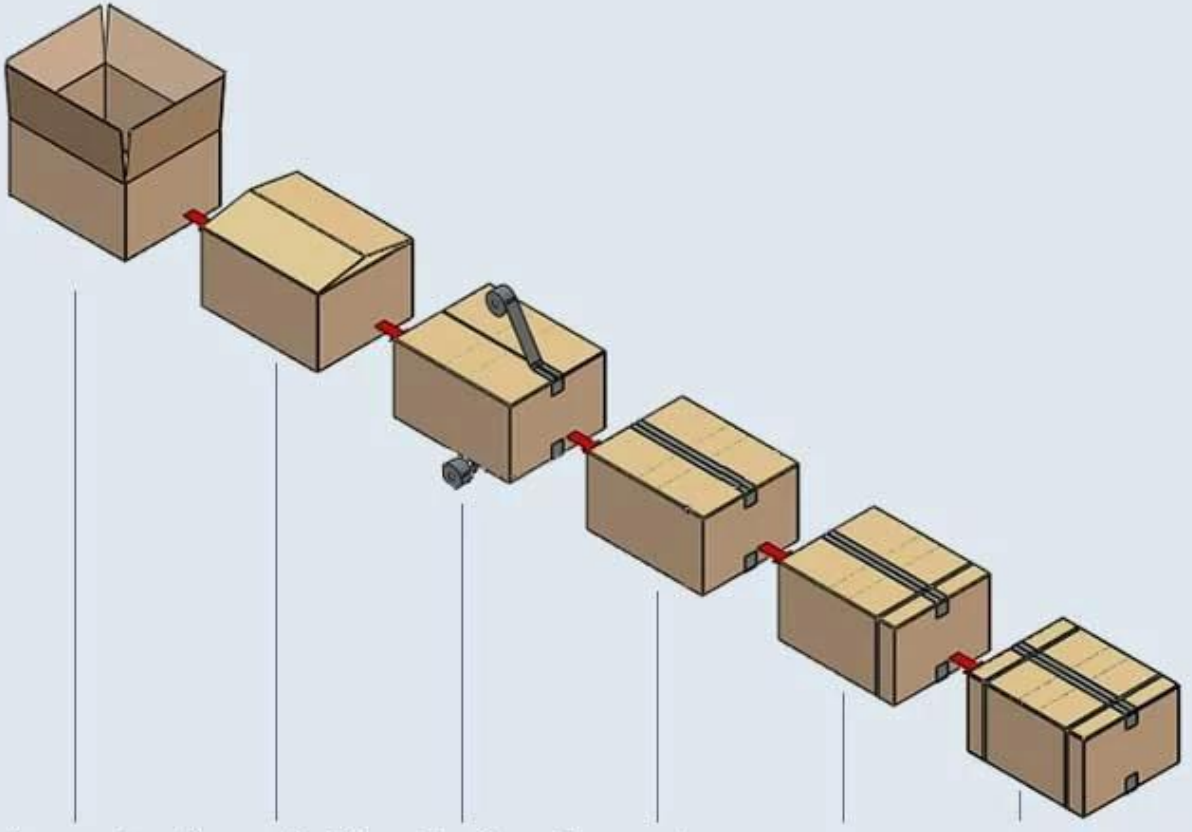


## Automatic high-quality carton box sealing and PP belt strapping machine carton sealer









Carton enter Cover folding Sealing Conveying First strapping Second strapping





## **Product Advantages**

1 Boost Productivity: Save time and labor with the automated strapping process, allowing your team to focus on other essential tasks, enhancing overall efficiency.

2 Secure Packaging: Ensure your products reach their destination intact, avoiding any potential damages during shipping, and leaving a lasting impression on your customers.

3 Versatile Application: With the ability to handle various package sizes and materials, our Auto Strapping Machine adapts to your unique business needs.

## **Product specification**

model	case unpacker
machine size	L2000 * W1960 * H1450
power supply	220V / 50HZ
gas supply	6-7kg
working speed	6-10 cases/min
belt width	8,9,10,11,12,12.7,15,15.5,18,19
belt roll inner dia	200-280mm adjustable
belt roll height	190-230mm adjustable

## Payment

You can pay by 100% T/T, Ali-pay, 70% L/C at sight would be available for qualified bank.



Foshan Jiayite Packaging Machinery Co., Ltd. is a professional and reliable manufacturer of bottle filling machine, capping machine, labeling machine and pouch packing machine. We are providing quality packing solutions for bottle filling and packing in the industries of home care and personal care, foodstuff, agrochemical, chemical and lubricate oil for liquids, cream/ointment, fluid and half-fluid, powders, and granules products. With years experience and development, We have Obtained ISO9001 quality management system authentication and parts of our products have passed CE mauthentication.





## EXHIBITION RECORD

---

## EXHIBITIONS



---

## OUR ADVANTAGE

---



On-site installation,  
commissioning and training

Specially customized  
based on actual situation



High automation, simple  
operation and labor saving

Life long technical  
service support



# AFTER-SALES SERVICE





## PACKAGING SHIPPING



It can be shipped by terms of Ex-work, FCA,FOB,CNF,CIF by sea or by air  
DHL, UPS, FedEx, TNT, EMS etc based on the buyer's forwarder or ours.

### FAQ

#### Q1.Are you a manufacturer?

A1:Yes, we are an experienced manufacturer with our own brand and production lines.

#### Q2.How about quality of products?

A2: Our technicians and QC teams test the products one by one using aging line, professional devices and instruments to ensure the quality for all products.

#### Q3.How about price?

A3: We are a manufacturer and always offer our customers the most competitive prices.

**Q4.How to place an order?**

A4: Contact with online service, or sent email to us directly, we will reply to you with product price, specifications, packing etc. soon. Thank you.

**Q5.May I send samples to you testing?**

A5: Yes! You are welcome to send us your products to test by our machine.

**Q6.Can I visit your factory?**

A6: Yes, welcome to visit our factory at your convenient time.